

CHAIR RAIL



If the staging doesn't require guard railing then you can use the Chair rail to prevent the chairs slipping off the stage. The chair rails will attach with the side rails of the AS 2100 stage and the chair rail contains the attaching device (no loose parts).

Easy to assembly

We make different sizes

The part numbers

0105-05T-48 for 48" long

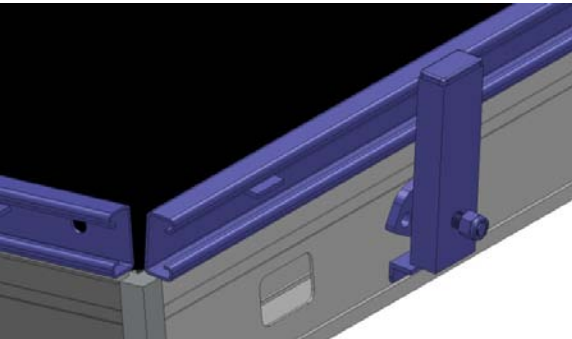
0105-05T-24 for 24" long.

List price \$ 48.00



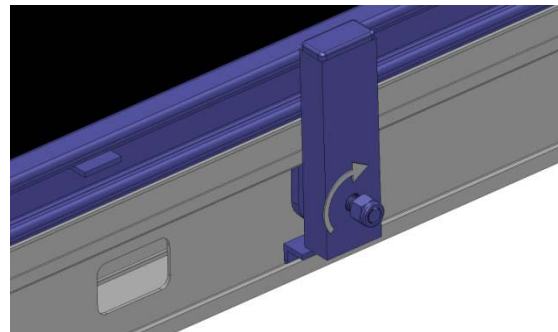
Step-01

Insert the chair rail bottom angles in to the side rail c- channel. Tip the chair rail towards the side rail to engage the lock.



Step-02

When lock is engaged use a wrench to tighten the 3/8" Nylon nut to secure the chair rail in place. Make sure the lock engage the top lip of the stage side rail c-channel.



Step-03

While using the chair rails in a straight line use the insert to connect two chair rails together.

