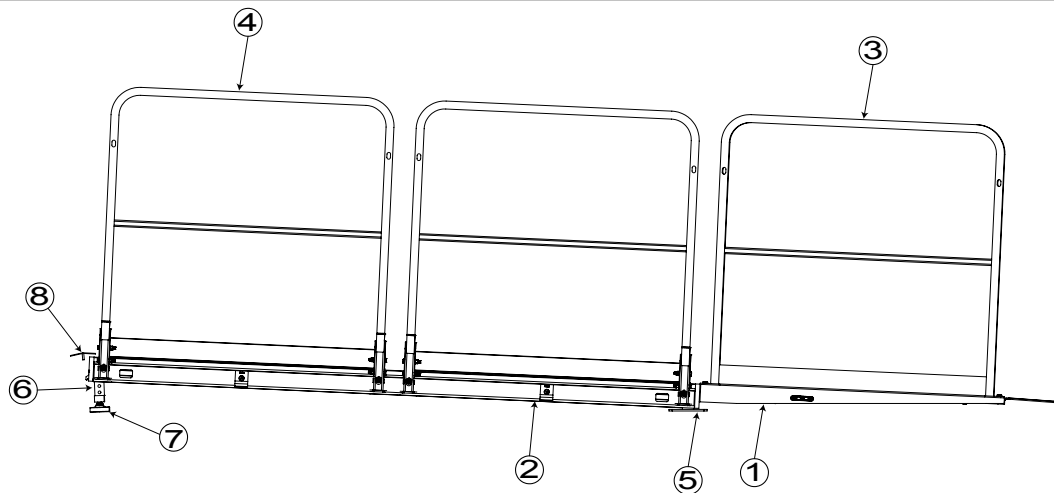


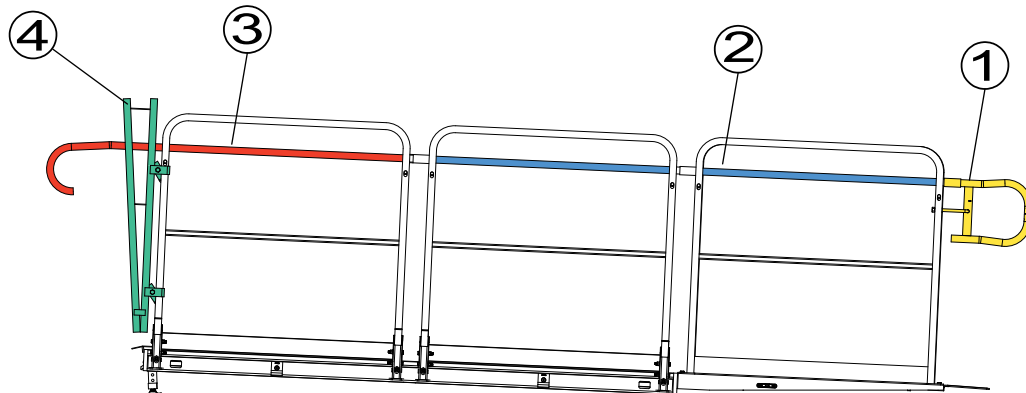
**Ramp for 12" tall stage**

| PART NUMBER |                          | DESCRIPTION       | QUANTITY |
|-------------|--------------------------|-------------------|----------|
| 1           | 0105-45-0001             | Ramp End          | 1        |
| 2           | 0105-20-7 (*)            | Stage 4' x 8'     | 1        |
| 3           | 0105-45-0008             | Ramp GP end       | 2        |
| 4           | 0105-05-101 (or 102)(**) | Stage GR panel    | 4        |
| 5           | 0105-45-0005             | Ramp base plate   | 2        |
| 6           | 0105-45-0003             | Ramp leg adapter  | 2        |
| 7           | 0105-0299-005            | 5" fixed leg      | 2        |
| 8           | 0105-45-0016             | Ramp filler plate | 1        |



**Additional parts for ADA Compliance**

| PART NUMBER |              | DESCRIPTION        | QUANTITY |
|-------------|--------------|--------------------|----------|
| 1           | 0105-45-0011 | End hand rail      | 2        |
| 2           | 0105-45-0010 | Hand rails 4'      | 4        |
| 3           | 0105-45-0015 | Top hand rail kit  | 1        |
| 4           | 0105-45-0014 | Filler guard rails | 2        |



\*Common stage components  
\*\*Vertical guard panels are available