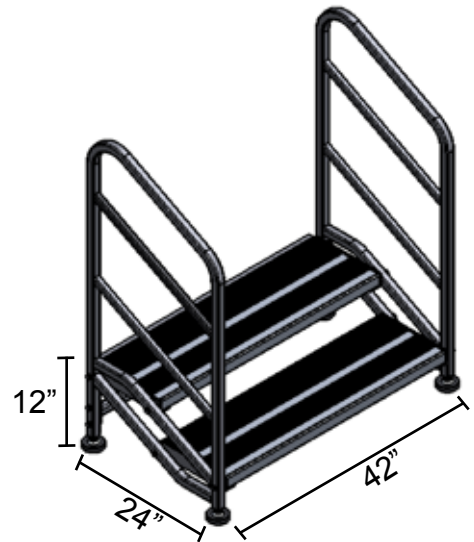
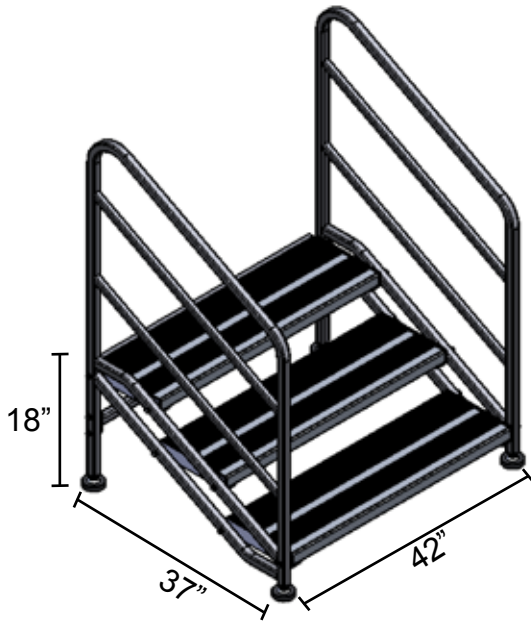


Features and Advantages:

- New updated stair units
- Quick and easy to use
- Two Step Unit will ship via UPS
- Non-marring rubber footpads
- Compatible with AS2100 and ST8100



QTY	DESCRIPTION	WEIGHT	PART NUMBER
1	12" Two Step Stair Unit	76.5lbs	0105-37-12
1	18" Three Step Stair Unit	103lbs	0105-37-18